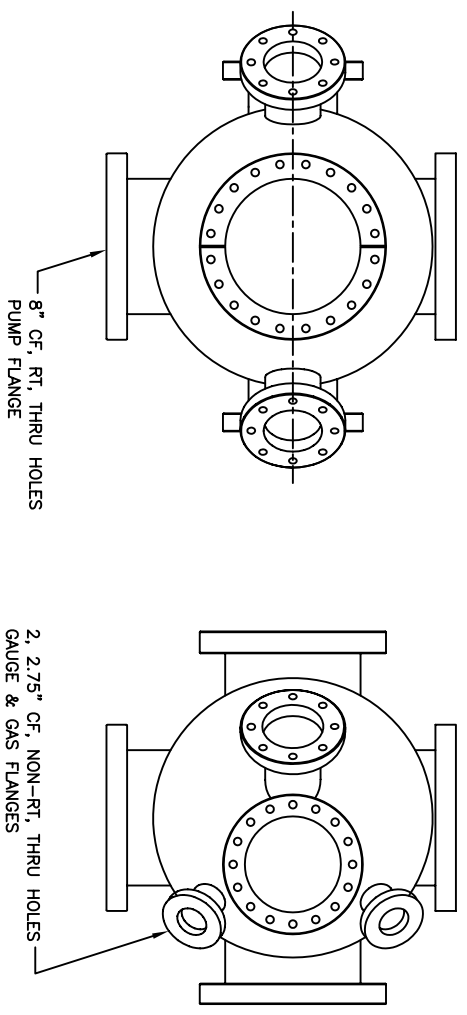
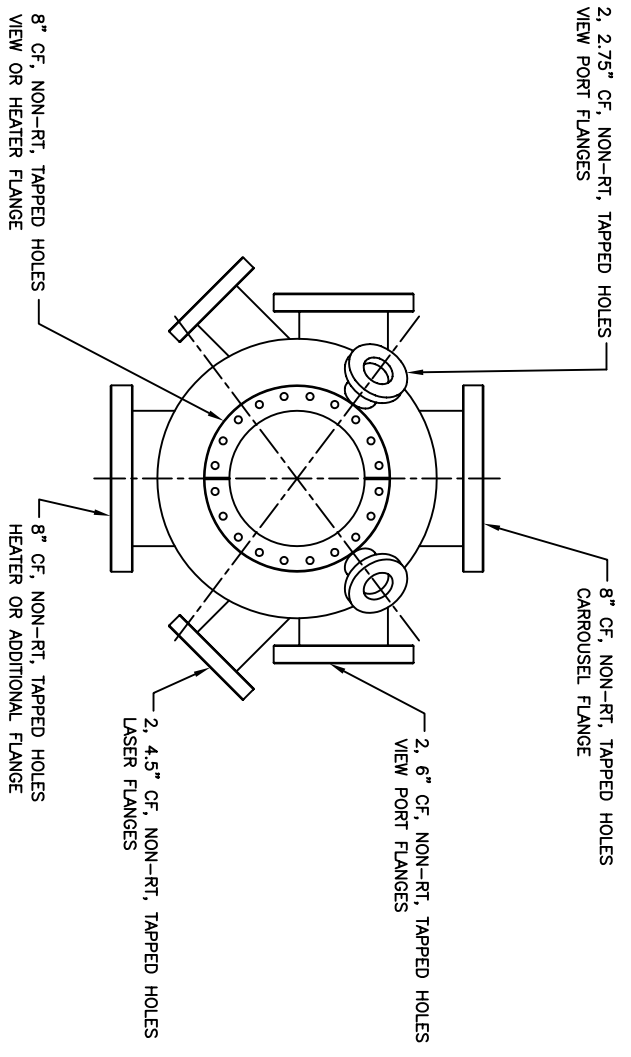


ZONE	REV	DESCRIPTION	APPROVED	DATE	THE DOCUMENT CONTAINS INFORMATION THAT IS UNCLASSIFIED TO OTHER THAN LAW ENFORCEMENT AGENCIES. PERMISSION FROM REDWOOD, INC.
A		RELEASE FOR PRODUCTION	PARKINSON	5/17/04	



UNLESS OTHERWISE SPECIFIED
DIMENSIONS ARE IN INCHES.

TOLERANCES ARE:
XX = ±.01
XXX = ±.005
XX = ±.20

FINISH : 100
UNLESS SPECIFIED OTHERWISE
NEXT LEVEL UP:

Neocera, Inc.
10000 Virginia Manor Road Suite 300
Farmingdale, NY 11737
Ph : (301) 210-1010 Fax: (301) 210-1042

TITLE
CHAMBER, 12", SALES

APPROVALS	DATE	SCALE	SIZE	DWG. NO.	PROJECT	SHEET	REV.
PARKINSON	5/17/04	1/1	C	14638	PROU	1 OF 1	A

