

# PathWay Model 7206 BNC Interface 10-1 Switch, Remotely Controllable, Desktop

## INTRODUCTION

The Model 7206 BNC Interface 10-1 Switch allows the user the capability of sharing a single BNC interface device connected to the Common port among 10 other devices connected to ports 1-10.

The switch may be controlled manually via front panel pushbuttons or remotely from an RS232 serial port located on the rear of the unit.

Switch position status may be attained via the front panel LED display or the remote RS232 serial port located on the rear of the unit.

## FEATURES:

- The switch ports are transparent to all data.
- Center pin and shell of each BNC connector is switched.
- Switch position control via front panel pushbuttons or Remote Control serial port.
- The unit maintains last set position on power loss and continues to pass data.
- Front panel LEDs display the switch position and power status.
- In-Line Series impedance 50 megohm
- Switching to 30 msec.
- Switch Cycles  $1 \times 10^9$ , each port.
- Rugged aluminum package provides EMI/RFI shielding.
- ★ **Municipalities, schools, government: This product is on GSA Schedule!**



**Model 7206**

## SPECIFICATIONS:

**PORT CONNECTORS:** (11) BNC (F) connectors labeled 1 thru 10 and COMMON.

**FRONT PANEL CONTROL:** (10) Manual pushbuttons allow for local switching.

**DISPLAY:** (10) Front panel LED's display switch position and power status.

**REMOTE CONTROL:** (1) DB9(F) connector on rear panel accepts RS232 Serial Data for remote control operation.

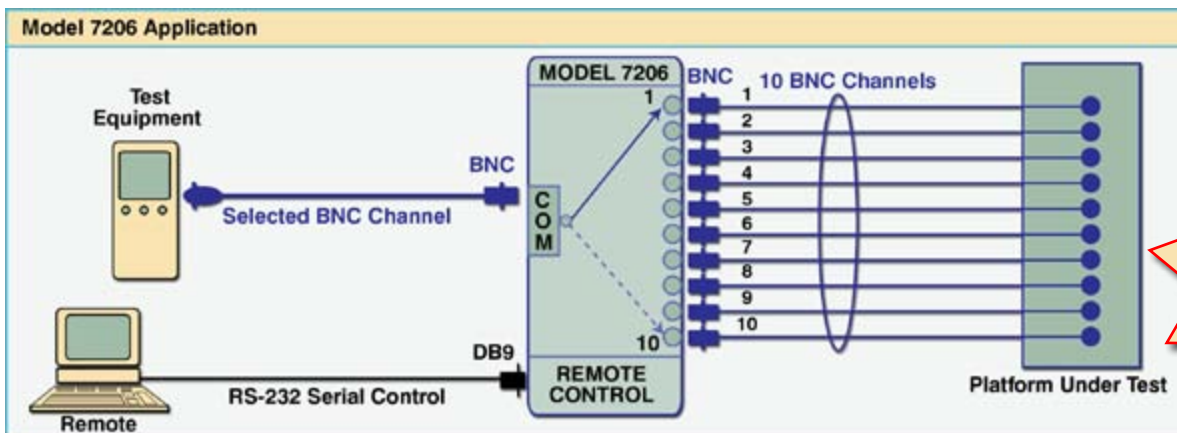
**POWER:** UL approved 120 VAC, 60 Hz wall mount power module supplies 12 VDC, 500mA to the unit.

**DIMENSIONS:** Desktop 13.0" W x 7.0" D x 2.0" H. (34.3 x 5.1 x 19.7 cm)

**WEIGHT:** Approximately 3.0 lbs. (1.4 Kg)

## OPTION: WIDE RANGE POWER MODULE

(Cat No 514296) CE and UL listed wall mount power module, 100VAC/240VAC, 50Hz/60Hz in place of standard 115VAC or 120VAC power module. Ideal for international applications.



**Don't forget the cables!**

## Suggested cables for use with Model 7206 Switch.

Part Number	Description	Unit Price
990136-006	RG58 Coaxial Cable, 50 ohm, 6 ft.	\$15.80
990136-010	RG58 Coaxial, 50 ohm, 10 ft.	\$17.00
890426-006	Thinnet RG58 Coaxial Cable, 50 ohm, 6 ft	\$16.80
890426-010	Thinnet RG58 Coaxial Cable, 50 ohm, 10 ft	\$18.00